

# Stabilized Telehandlers

P40.12

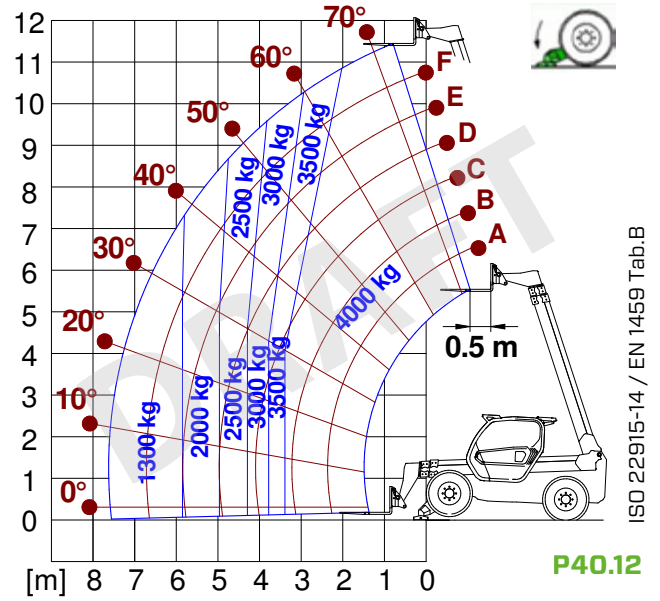
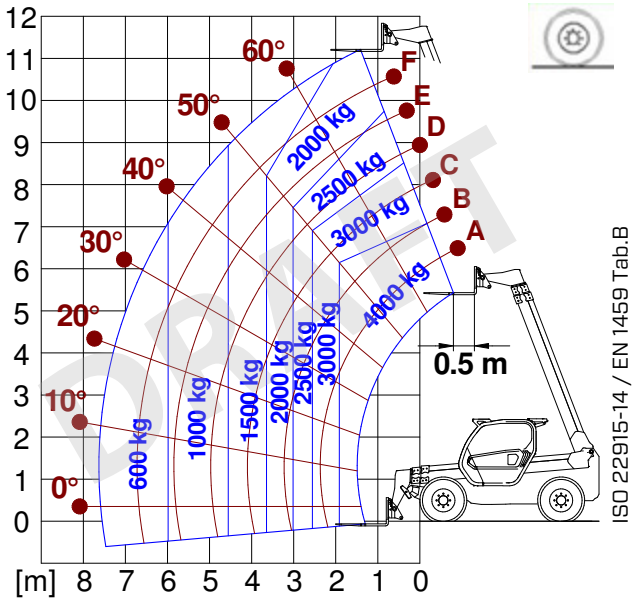




PERFORMANCE AND FEATURES	P40.12	P40.12 PLUS	
<b>Performance</b>			
Total unladen weight (kg)	9200	9200	
Maximum capacity (kg)	4000	4000	
Lifting height (m)	11,5	11,5	
Maximum reach (m)	7,63	7,63	
Maximum operating height (m)	11,5	11,5	
Maximum operating reach (m)	3,4	3,4	
Capacity at maximum height (kg)	4000	4000	
Capacity at maximum reach (kg)	1300	1300	
Lateral boom movement (mm)	± 330	± 330	
Tilting correction (%)	± 8	± 8	
Boom sections	3	3	
<b>PowerTrain</b>			
Turbo motor	KOHLER KDI2504	PERKINS 904J	
Displacement/cylinders	2500/4	3600/4	
Engine Power (kW/HP)	55,4/75,1	85,9/115	
Anti-pollution technology	STAGE V, DOC + DPF	STAGE V, SCR+DPF+DOC	
Reversible fan	●	●	
Maximum speed (km/h)	33	40	
Fuel tank (l)	140	140	
AdBlue tank (l)	-	18	
Hydrostatic transmission	● - 2V	● - 2V	
EPD	●	Plus	
Auto-revving joystick	●	●	
Axles - Reducers	Drop portal - RR700	Drop portal - RR700	
Machine brakes	Dry discs	Dry discs	
Automatic parking brake	●	●	
<b>Hydraulic</b>			
Hydraulic pump	LS	LS	
Flow rate/pressure (l/min - bar)	104 - 250	104 - 250	
Hydraulic tank	100	100	
Hydraulic outlet at the top of the boom	●	●	
Rear hydraulic outlets	○	○	
<b>Cab</b>			
Cab configuration	ECO	ECO	
ASCS Adaptive Stability Control System	Light	Full	
FOPS LIV II cab	●	●	
ROPS cab	●	●	
Cab commands	Electronic joystick control	Electronic joystick control	
Tilting Cab	-	-	
Reverse shuttle	Dual reverse	Dual reverse	
<b>Configuration</b>			
Cab suspension	-	-	
Boom suspension	○	○	
Suspension on axles	-	-	
Work headlights on cab	○	○	
Sun blind	○	○	
Tac-lock	●	●	
Provision for a platform	○	○	
Two floating forks	●	●	
Inching-Control	●	●	
Four-wheel drive	●	●	
Four-wheel steering	●	●	
Three steering modes	●	●	
Standard tyres	400/70-20	400/70-20	
Optional tyres	405/70-24	405/70-24	
Stabilisers	Narrow	Narrow	
Turret rotation	-	-	
Type approval as an agricultural tractor	-	-	
Approval with PNEUMATIC braking	-	-	
Approval with HYDRAULIC braking	-	-	
PTO	-	-	
3-point linkage			

- Not Available  
● Standard  
○ Optional

## Load charts

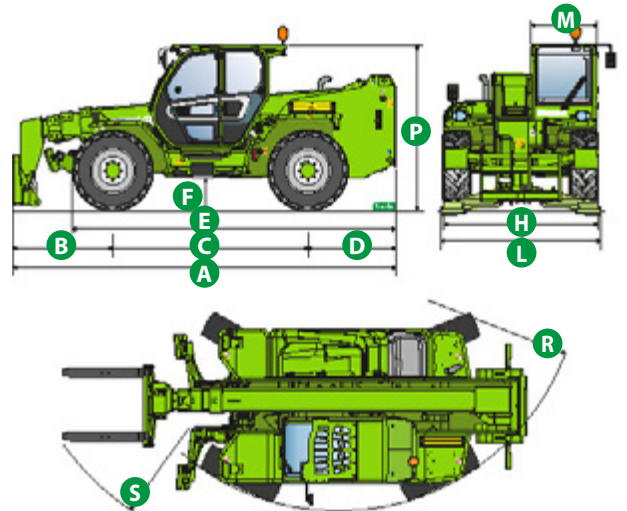


P40.12

## Dimensions



	P40.12	P40.12 PLUS	
A (mm)	5010	5010	
B (mm)	1290	1290	
C (mm)	2810	2810	
D (mm)	910	910	
E (mm)	4260	4260	
F (mm)	375	375	
H (mm)	2240	2240	
L (mm)	2380	2380	
M (mm)	1010	1010	
P (mm)	2425	2425	
R (mm)	3920	3920	
S (mm)	4900	4900	



**Your Merlo dealer**



**MERLO S.P.A.**

Via Nazionale, 9  
12010 S. Defendente di Cervasca, (Cuneo) Italia  
Tel. +39 0171 614111  
Fax +39 0171 684101

[info@merlo.com](mailto:info@merlo.com)  
[www.merlo.com](http://www.merlo.com)

